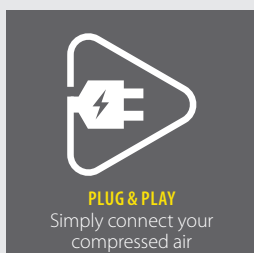


# S305

## Dew Point Monitor

(-50 ... +20°C Td / -20 ... +50°C Td)



# Know your air quality — **Plug & Play**



## S305 FEATURES



### PLUG & PLAY

Simply connect your compressed air



### DEW POINT MEASUREMENT

-50 ... +50°C Td depending on the model



### PRECISE MEASUREMENT

± 2°C Td accuracy



### ALARM INDICATION

With internal relays or alarm units

## S305 FEATURES AT A GLANCE

- 2 models: -50 ... +20°C Td and -20 ... +50°C Td
- Plug & Play (complete solution)
- Compressed air supply through 6 mm quick-connect
- Power supply: 100 ... 240 VAC or 24 VDC
- Wall or panel mountable
- Accuracy of ±2°C Td
- IP65 casing provides robust protection in rough industrial environment
- 4 ... 20 mA output to PLC or SCADA system
- Pre- and Main-Alarm programmable:
  - Optical: red blinking display
  - 2 relay outputs

## S305 BENEFITS

Refrigeration dryers are the most commonly used dryer type in compressed air system around the world. If the required drying is not achieved, the impact of wet air can be serious: Rust in the pipes, failures of machines, and a negative impact on product quality.

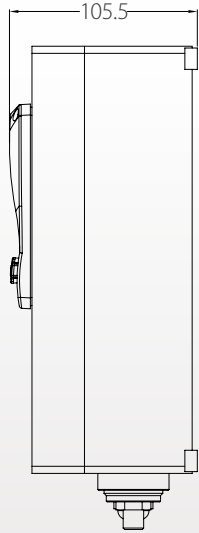
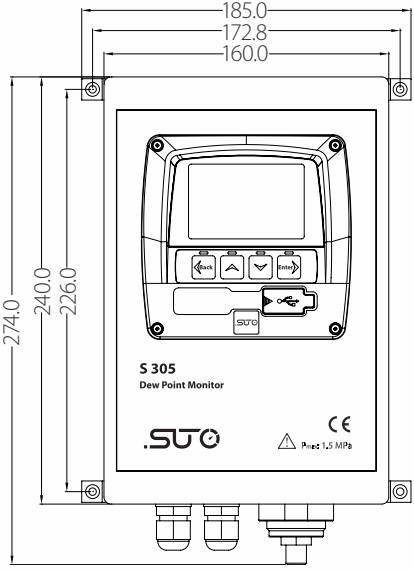
SUTO offers with the S305 a measuring device for dew point monitoring that kicks in alarm indications when drying values are not within the desired range.

The All-In-One dew point monitor serves as a measuring and display device. The connection to the compressed air network is via a 6-mm quick connect and corresponding connecting hose. The entire measuring unit is integrated together with the display in a rugged housing (IP65) and is available both as a panel variant or as a wall-mounted housing. Two alarm levels can be programmed (pre and main alarm), serving an optical indications or separate relay outputs. The dew point meter allows a simple and inexpensive dew point monitoring.

# S305 TECHNICAL DATA

General Specifications	
Measuring range (model depending)	Dew point -50 ... +20°C Td -20... +50°C Td
Dew point sensor	Polymer
Temperature sensor	NTC
Pressure sensor	N/A
Accuracy	Dew point ±2°C Td Temperature 0.3°C
Operating Pressure	0.3 ... 1.5 Mpa
Operating Temperature (Medium)	-30 ... +70°C
Measured gases (Medium)	Non-corrosive gases
Response Time t90 (@ 4 l/min)	-50°C Td -> -20°C Td = 20 sec 0°C Td -> -40°C Td = 120 sec
Ambient Temperature	-10 ... +40°C
Ambient Humidity	0 ... 100% rH
Supply Voltage (model depending)	100 ... 240 VAC 24 VDC
Current consumption (model depending)	40 mA @ 220 VAC 120 mA @ 24 VDC
Output signals	4 ... 20 mA 3-Wire
Electrical connection	Screw terminals
Process connection	6 mm quick connector
Casing material	ABS, Aluminium alloy
Classification	IP65
EMC	IEC 61326-1
Approval	-
Sensor protection	Sinter filter
Transport Temperature	-30 ... +70°C
Storage Temperature	0 ... +40°C
Weight	520 g

# S305 DIMENSIONS



**Stated accuracy under following conditions:**

- Ambient temperature 23°C ±3°C
- Process temperature 23°C ±3°C
- Ambient humidity < 95%, no condensation
- Airflow > 2 l/min at sensor tip



optional alarm unit mounted on the housing

## S305 ORDERING



Visit our website or e-mail us:  
[www.suto-itec.com](http://www.suto-itec.com)  
[sales@suto-itec.com](mailto:sales@suto-itec.com)

Please use the following table to assist in placing your order with our sales staff.

S305 Dew Point Monitor (-50 ... +20°C Td / -20 ... +50°C Td)	
Order No.	Description
D699 3050	S305, dew point monitor, -20 ... +50°C Td, 6 mm quick connector, 15 bar, 1 x 4 ... 20 mA, 100 ... 240 VAC, 2 relay outputs
D699 3051	S305, dew point monitor, -20 ... +50°C Td, 6 mm quick connector, 15 bar, 1 x 4 ... 20 mA, 24 VDC, 2 relay outputs
D699 3052	S305, dew point monitor, -50 ... +20°C Td, 6 mm quick connector, 15 bar, 1 x 4 ... 20 mA, 100 ... 240 VAC, 2 relay outputs
D699 3053	S305, dew point monitor, -50 ... +20°C Td, 6 mm quick connector, 15 bar, 1 x 4 ... 20 mA, 24 VDC, 2 relay outputs
A1250	Option: Integrated dew point sensor, -100 ... +20°C Td (only for S604 1203 and P604 1205)
<b>Accessories</b>	
C198 0005	Filter cap, stainless steel, 30 µm pore size
A554 0024	Alarm unit, 100 ... 240 VAC, red light and buzzer alarm, wall mountable (unit is using the relay outputs of S305 to trigger the alarm)
A554 0025	Alarm unit, 100 ... 240 VAC, red light and buzzer alarm, mounted at S305 casing (unit is using the relay outputs of S305 to trigger the alarm)
A553 0106	Power cable with mains plug, 1.8 m